

Figure 1

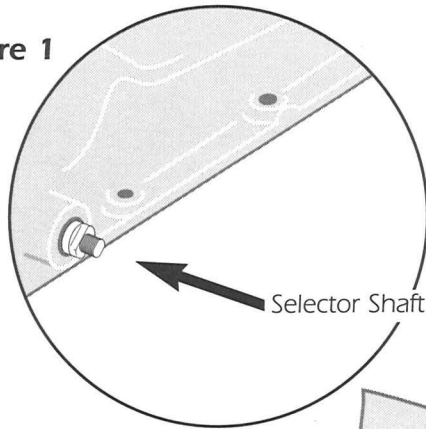


Figure 2

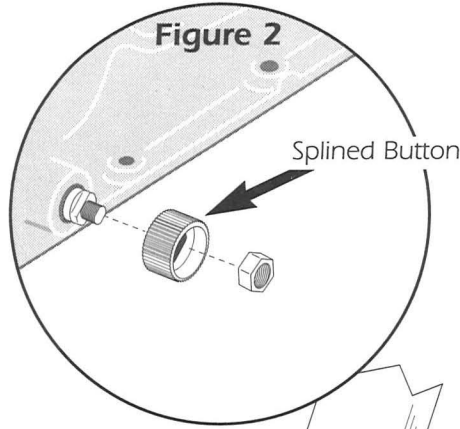


Figure 3

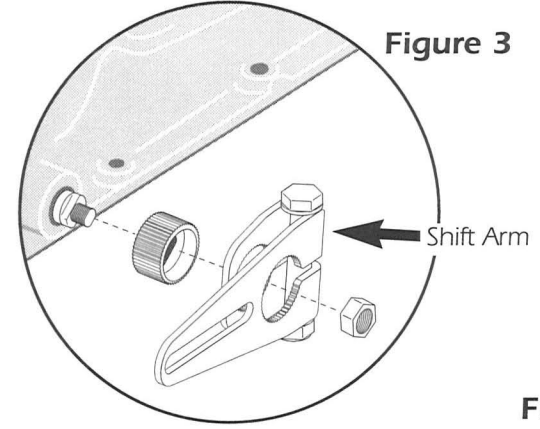


Figure 4

Short Stroke

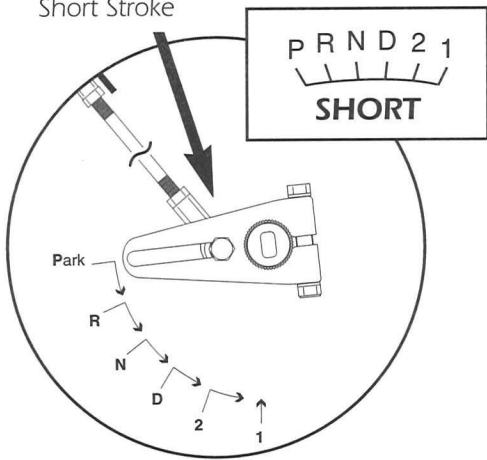
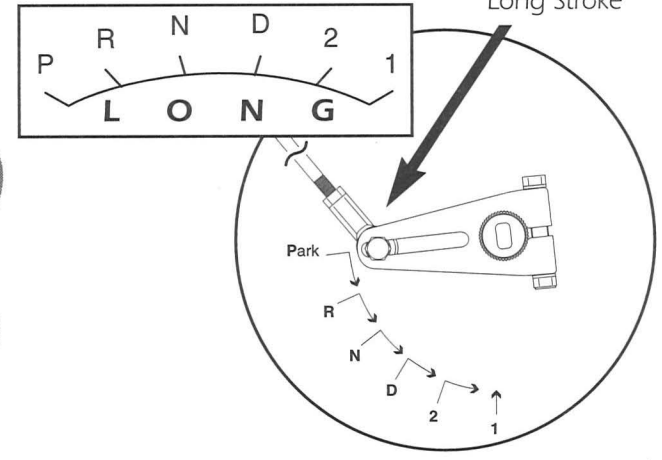


Figure 5

Long Stroke



Fits:
TH 350
TH 400
700 R4
BL 460

Kugel Komponenten

451 Park Industrial Dr., La Habra, CA 90631 • (562)691-7006

Vari Angle Shift Arm Installation Instructions

Column Shifters:

Remove the stock linkage from the transmission. Rotate transmission selector shaft clockwise into the "Park" position (Fig. 1). Install the splined button onto the selector shaft with the nut supplied (Fig. 2). Place the Vari Angle Shift Arm onto the splined button pointing at approximately the 8-9 o'clock position (Fig. 3). This will be the starting position. It may be necessary to rotate the arm on the splines to suit your application. Shift your column to the "Park" position. Install the heim joints and jam nuts on shift rod and bolt shift rod onto the column shift arm. Bolt the other end to the Vari Angle Shift Arm. Some bending may be necessary to suit your application. You may also need to shorten or lengthen the shift rod as necessary. 12", 18" & 22" lengths are available. Adjust the shifter to your dial indicator as per figures 4 & 5.

Floor Shifters:

Same procedure as column shift except the placement of the Vari Angle Shift Arm will be at the 2 o'clock position for your starting point (Fig. 6).

Figure 6

Floor Shifters

